

NEW! CBDW SERIES BOLSTER EXTENSION

The CBDW Series Bolster Extension is a high-capacity mobile product that enables world class manufacturers to achieve the pinnacle of reliability in single-minute die exchange processes. This bolster extension allows for precise entry and removal of the die with ease while promoting exceptional safety. Maximum stability and strength are achieved thanks to braced rollers and superior support frame engineering.

Versatile. Portable. Durable.

The versatile and portable nature of the CBDW Series Bolster Extension sets this product apart from the competition. Tonnage variance can be managed by mounting two to five standardized extenders on the press, so long as the press bed, the floor capacity and level, and the press environment permit.

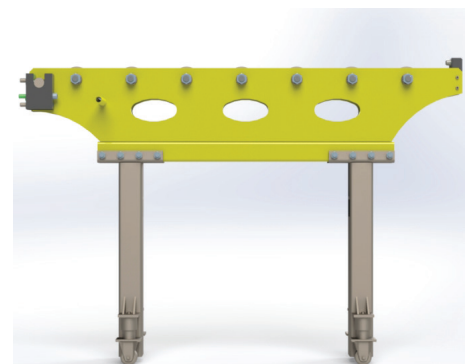
The CBDW Series Bolster Extension's intuitive design makes switching the extenders between presses of standard table height safe and efficient.

The JIT Advantage

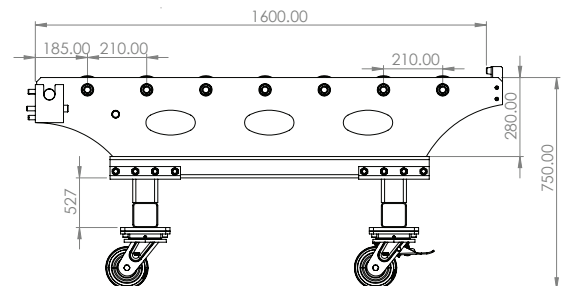
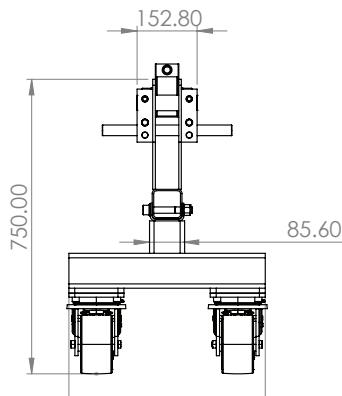
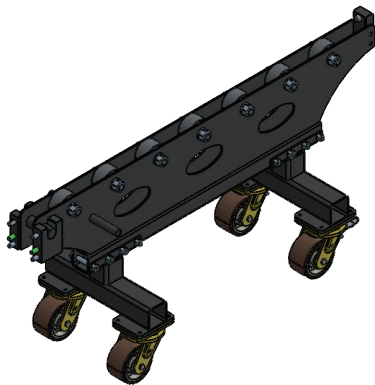
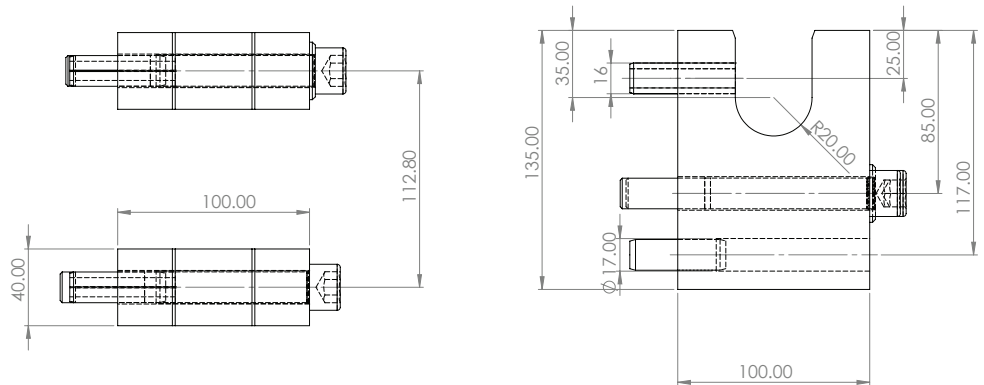
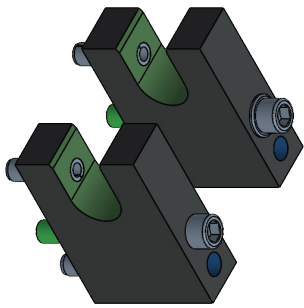
- Wide running surface and shock-absorbing cast polyamide rollers protect the tool from damage even when placing molds via crane or forklift.
- Rollers are identical over different die change consoles and are maintained in inventory for quick and easy replacement.
- Main walls feature elliptical cutouts for forklift and crane transport.
- If desired, cast polyamide rollers are interchangeable with steel rollers.

LOAD CAPACITY

3,000kg – 12,000kg

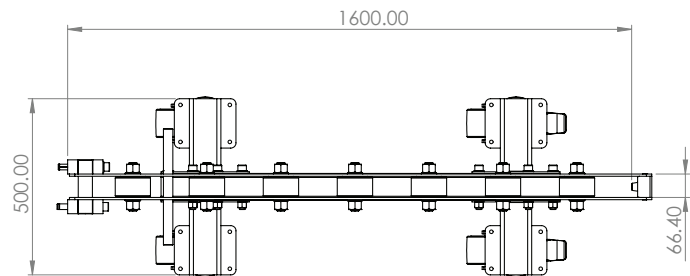


NEW! CBDW SERIES BOLSTER EXTENSION



ROLLER SPECIFICATIONS

- Durable cast polyamide material
- 50 mm wide, 100 mm diameter
- 1200 kg load capacity



Improve your speed, efficiency, and productivity: [800-268-4296](tel:800-268-4296) | SALES@JITAUTOMATION.COM